

# Mutina

# Jali

by Patricia Urquiola



EN

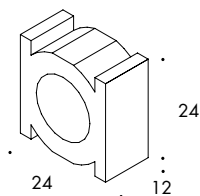
General information  
Laying and maintenance tips  
Colors  
Technical features  
Packing



## General information

The data, information and indications contained in this technical data sheet and in further documents relating to the Jali by Patricia Urquiola product are the exclusive property by Ceramiche MUTINA S.p.a. This Technical Data Sheet provides the buyer with information relating to the use of the product useful for its correct installation and evaluation and prevention of risks arising from the normal use of the same.

collection	Jali
design	Patricia Urquiola, 2023
production	Artisanal
material	Extruded terracotta
nominal sizes	24·12·24 cm (9"·4"·9")
specification	<ul style="list-style-type: none"><li>– Artisanal extruded partition elements, 12 cm thick.</li><li>– 3 Colors: Neutro, Bianco and Nero</li></ul> <p>This product is suitable for both residential and commercial spaces to construct walls with a maximum height of 4 metres. The buyer is not released from the obligation of checking the information received, and for making design and construction choices in compliance with good construction techniques and regulations, including local ones, in force at the time of use of the product and in the country of final destination. The NTC 2018 DECRETO MIN 27/01 regulation shall apply in Italy.</p> <p>It is possible to install JALI with or without the aid of the wooden profile. In case you choose to use the accessory element, Mutina provides the EC 1 plus adhesive for VOC emissions.</p>
complementary pieces	Linear profile 300, top profile 300
category	UNI EN 772 772-22

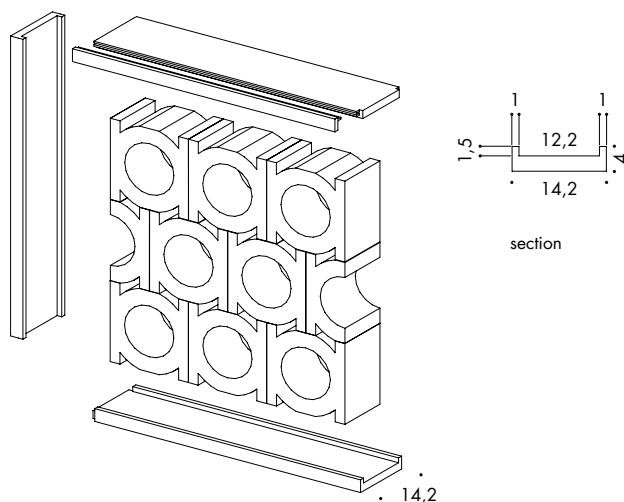


24·24·12 cm  
9"·4"·9"

### complementary pieces

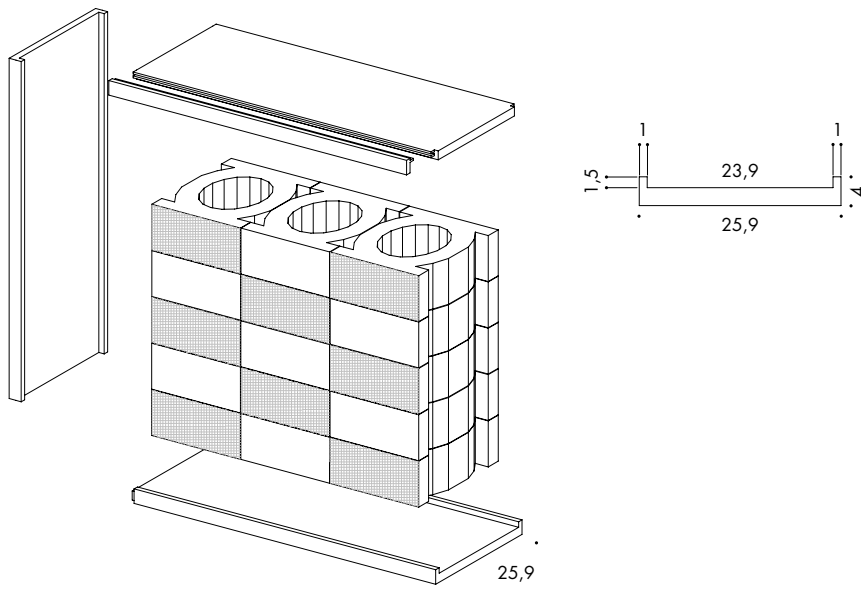
Linear painted wooden profile (also suitable for outdoor use).  
Top painted wooden profile (also suitable for outdoor use) with one shaped end to make clamping easier

### profile with vertical installation



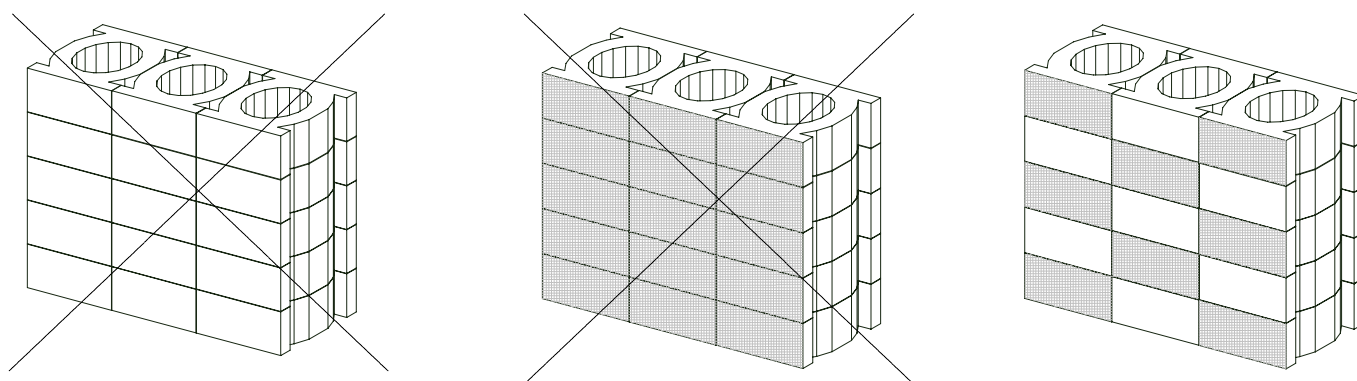


profile with horizontal installation

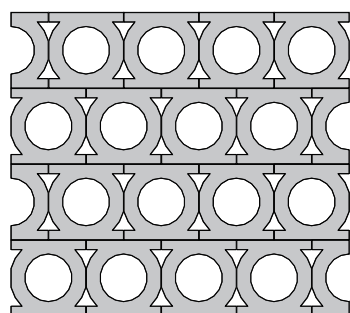


**To ensure greater dimensional uniformity among the pieces, it is recommended to alternate the laying direction.**

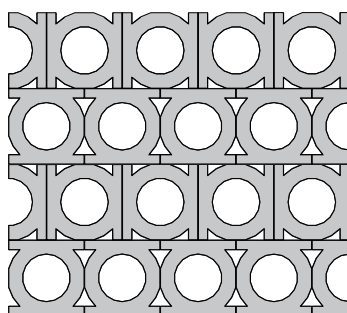
The buyer is responsible for verifying the information received and for ensuring that the design and construction decisions comply with proper construction techniques and regulations, including local laws applicable at the time of the product's use and in the country of its final destination.



laying scheme



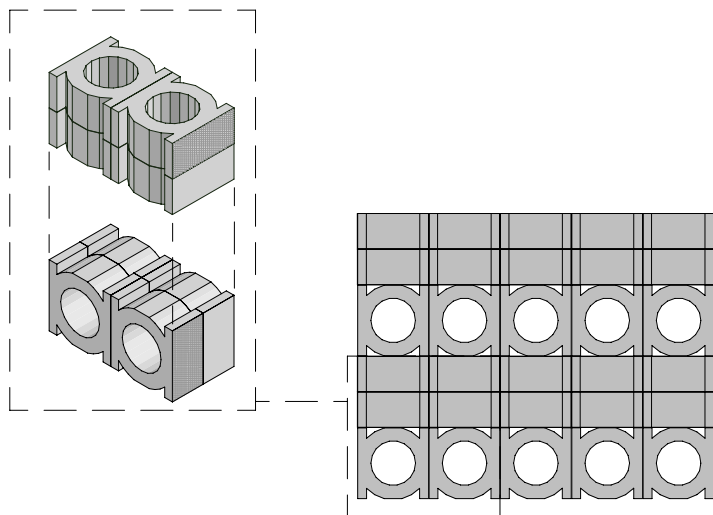
laying scheme 1  
17,36 pcs / sqm



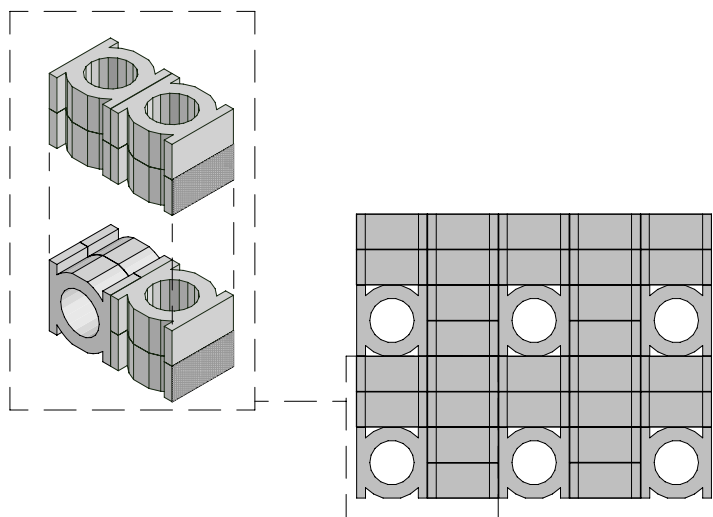
laying scheme 2  
17,36 pcs / sqm

To ensure greater dimensional uniformity among the pieces, it is recommended to alternate the laying direction.

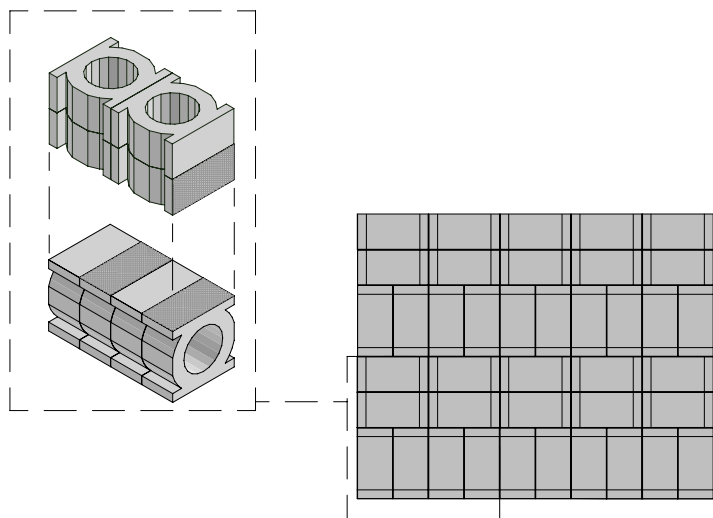
The buyer is responsible for verifying the information received and for ensuring that the design and construction decisions comply with proper construction techniques and regulations, including local laws applicable at the time of the product's use and in the country of its final destination.



laying scheme 3  
34,72 pz / mq

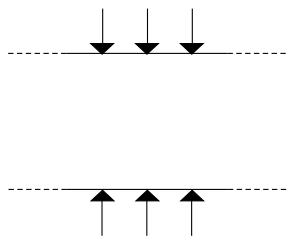


laying scheme 4  
34,72 pz / mq

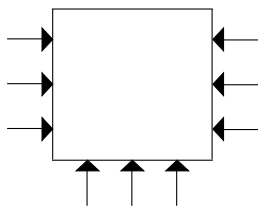


laying scheme 5  
34,72 pz / mq

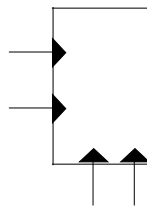
**ANCHORING ON 2 SIDES**  
MAX h400 cm



**ANCHORING ON 3 SIDES**  
MAX h400x300 cm



**ANCHORING ON 2 SIDES**  
MAX h250x100 cm



## Laying and maintenance tips

use	Wall – indoor and outdoor areas complying with UNI EN 772-22 marked “F1-moderate exposure”.
recommended adhesive	Mutina adhesive: solvents-free, eco-friendly organic adhesive
recommended joints	–
recommended fillers	–
cleaning at the end of installation	Avoid drippings during installation. If needed the excess can be removed after the product has dried, using a tool with a sharp edge.
general cleaning (installed tiles)	–
calibers (real size)	24-24-12 cm with 1-3 mm tolerance (artisanal product)

## Colors



Neutro



Nero



Bianco

## Technical features

STANDARD	FEATURES	VALUE REQUIRED	JALI
UNI EN 772-16	dimensions	to declare	T2 – R2
UNI EN 772-21:2011	water absorption	to declare	12.5%
UNI EN 772-5:2016	content of active soluble salts	to declare	S2
UNI EN CEN/TS 772- 22:2006	freeze-thaw resistance	to declare	F1
D.M. 1401/2008	determination of horizontal variable loads	to declare	C2
<b>LEED CERTIFICATION 4.1</b>			10% recycled material
<b>VOC EMISSION</b>			available upon request
<b>DECLARATION OF CONTENTS</b>			available upon request
<b>SDS</b>			available upon request
<b>BPD3</b>			available upon request
<b>HDP</b>			available upon request

## Packing

SIZE	PCS-SQM	PCS-BOX	BOX-PAL	SQM-PAL	PCS-PAL	KG-PC	KG-PAL
neutro	-	-	-	3,69	64	8,20	535
bianco, nero	-	2	36	4,15	72	8,20	600
laying scheme 1	17,36						
laying scheme 2	17,36						
laying scheme 3	34,72						
laying scheme 4	34,72						
laying scheme 5	34,72						