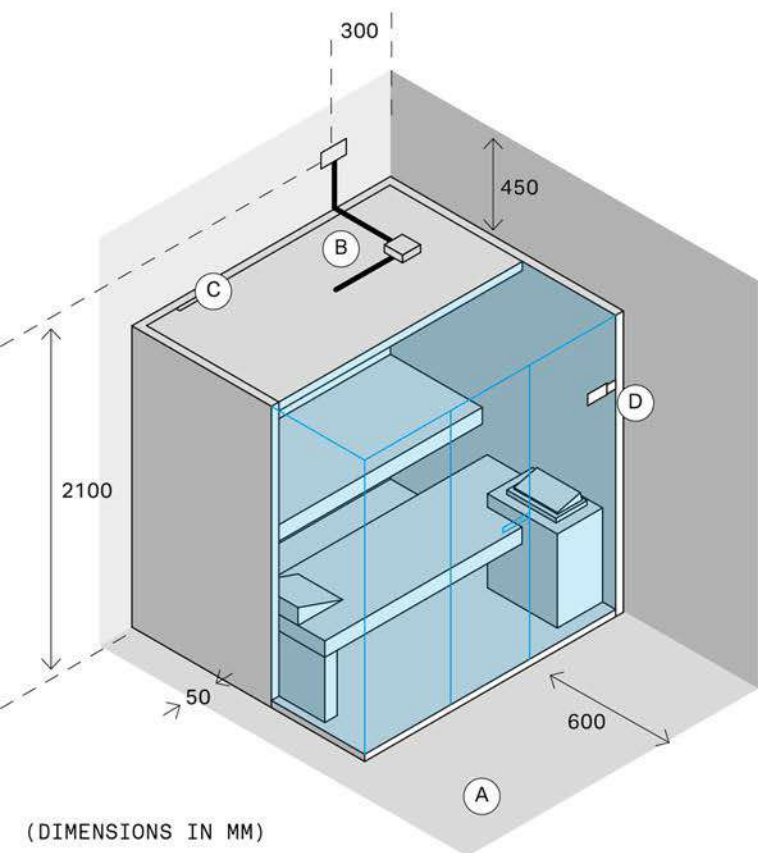


Technical information

More information: www.effegibi.it



(A)

Space required around the sauna for easy assembly. If a smaller area is available, please contact the manufacturer.

(B)

Sauna power cable

(C)

Warm air outlet

(D)

Control panel

ELECTRICAL SAFETY:

EFFEGIBI saunas are manufactured and tested in compliance with European regulations to ensure the utmost safety for users.

ELECTRICAL CONNECTION:

The electrical power system must comply with the IEC 364-1 (CEI 64-8) standard as well as domestic statutory regulations.

The sauna must be connected to the power grid using a magnetothermal residual current device (30 mA) adequate for the product's power consumption (see data-plate information), with a contact opening of 3 mm.

The AC electrical connection must be:

- › fixed;
- › adequate for the current absorbed..

If the sauna is installed in a bathroom, the following requirements must be met:

- › the residual current device must be placed outside of areas 0, 1, 2 and 3 (CEI 64-8/7);
- › the AC electric connection must have a level of protection against water of IPX4, and must be placed outside of areas 0 and 1 (CEI 64-8/7).

N.B.

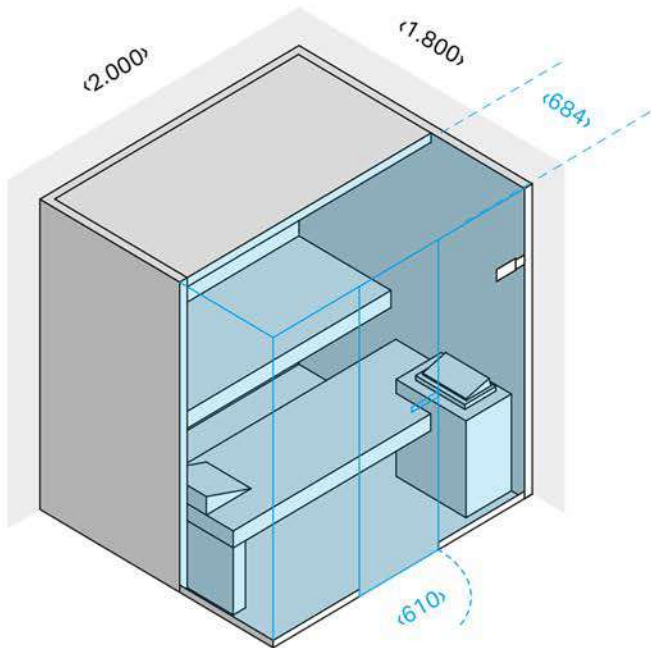
The product must be installed in an area with finished floors and walls.



SKY CORNER 80



4-5



DIMENSIONS

cm 200 x 180 x 201 h

FINNISH SAUNA ABSORBED POWER

8 kW max - 230Vac 1N 50-60Hz - 400Vac 3N 50-60Hz

BIOSAUNA ABSORBED POWER*

9 kW max - 400Vac 3N 50-60Hz

MATERIALS

Outside: Canadian hemlock

Inside: Canadian hemlock

Fittings: Canadian hemlock

10 mm clear tempered glass

FEATURES/COMPONENTS

Wall lighting with led white light, 3.000 K

Heater with stones

Control panel with brushed steel finish

Automatic energy-saving function

Electrical system with protected cable ducts

Benches

Protective grille for heater

Wooden bucket and ladle

Hourglass

Technical card download

