

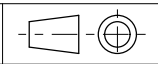
GESI

ISPA 41405

MISCELATORE MONOCOMANDO LAVABO CON SCARICO

Formato

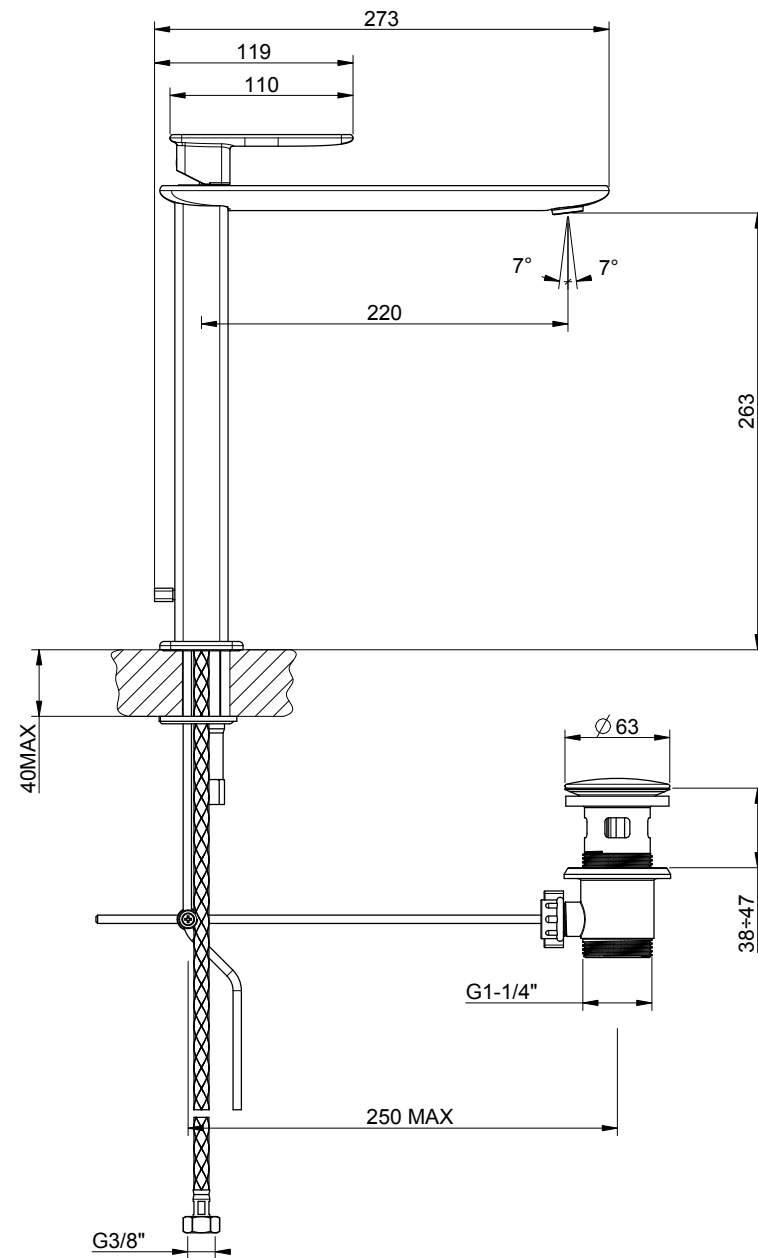
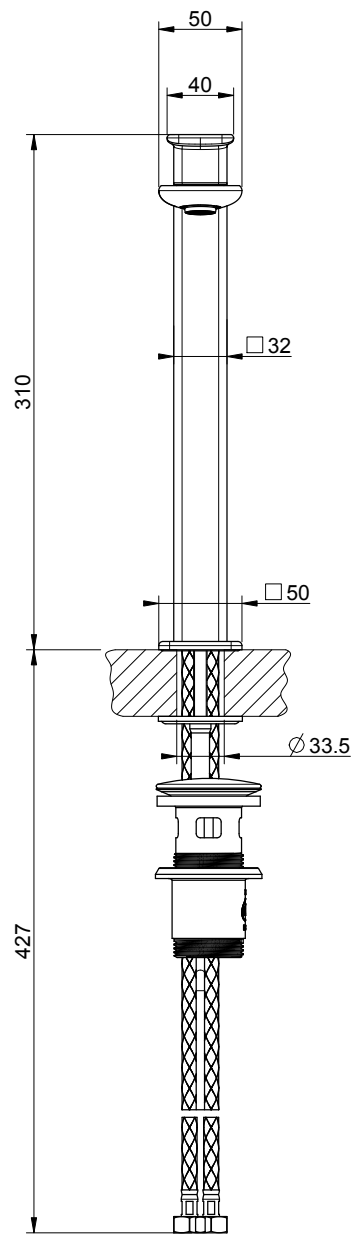
A4



Dis.: GPF4140510000G000

Gessi S.p.A. Parco Gessi, 13037 Serravalle Sesia (Vercelli) Italy Tel.0039 0163 454111 Fax.0039 0163 453150 www.gessi.com e-mail:gessi@gessi.it

This drawing by its legislation cannot be disclosed or reproduced without a written authorization released by GESI S.p.A. - 2014 Copyright® GESI S.p.A.

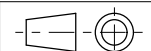


GESSI

ISPA 41406

MISCELATORE MONOCOMANDO LAVABO ALTO CON SCARICO

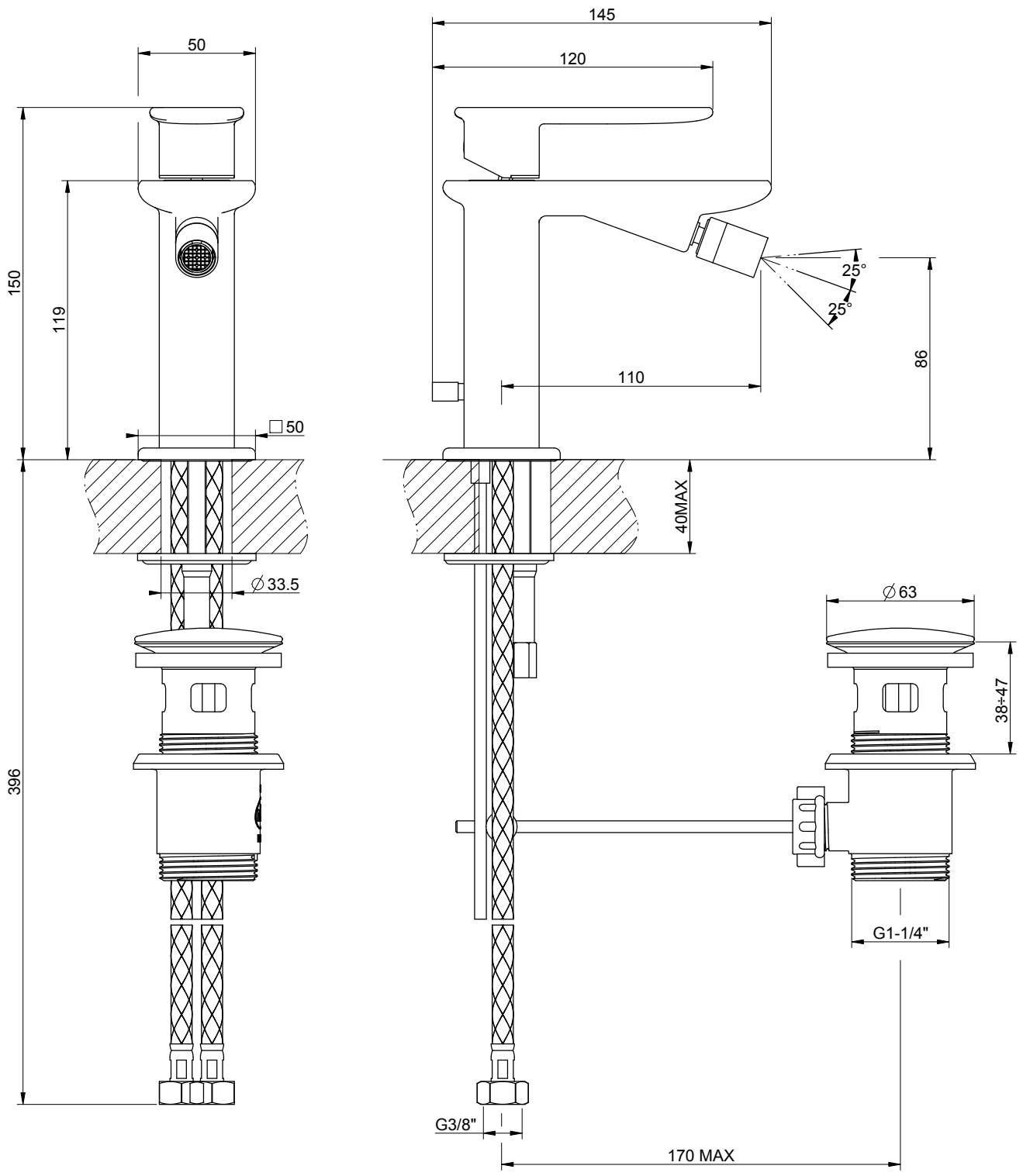
Formato **A4**



Dis.: GPF4140610000G000

Gessi S.p.A. Parco Gessi, 13037 Serravalle Sesia (Vercelli) Italy Tel. 0039 0163 454111 Fax. 0039 0163 453150 www.gessi.com e-mail: gessi@gessi.it

This drawing by its legislation cannot be disclosed or reproduced without a written authorization released by GESSI S.p.A. - 2014 Copyright® GESSI S.p.A.

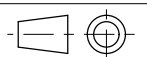


GESSI

ISPA 41407

MISCELATORE MONOCOMANDO BIDET

Formato **A4**



Dis.: GPF4140720000G000

Gessi S.p.A. Parco Gessi, 13037 Serravalle Sesia (Vercelli) Italy Tel. 0039 0163 454111 Fax. 0039 0163 453150 www.gessi.com e-mail: gessi@gessi.it

This drawing by its legislation cannot be disclosed or reproduced without a written authorization released by GESSI S.p.A. - 2016 Copyright® GESSI S.p.A.